



# HOVERMATT®

## Half-Matt

The HoverMatt® Half-Matt delivers the same effortless lateral transfers and positioning as the standard HoverMatt® Air Transfer System, but in a shorter length. Specifically designed for use in the O.R. with specialty tables as well as in Labor and Delivery, the Half-Matt is available in both reusable and single-patient use models. The reusable Half-Matt with a double-coated finish is often preferred when excessive fluids make stain resistance a priority.



Double-Coated  
HoverMatt® Half-Matt



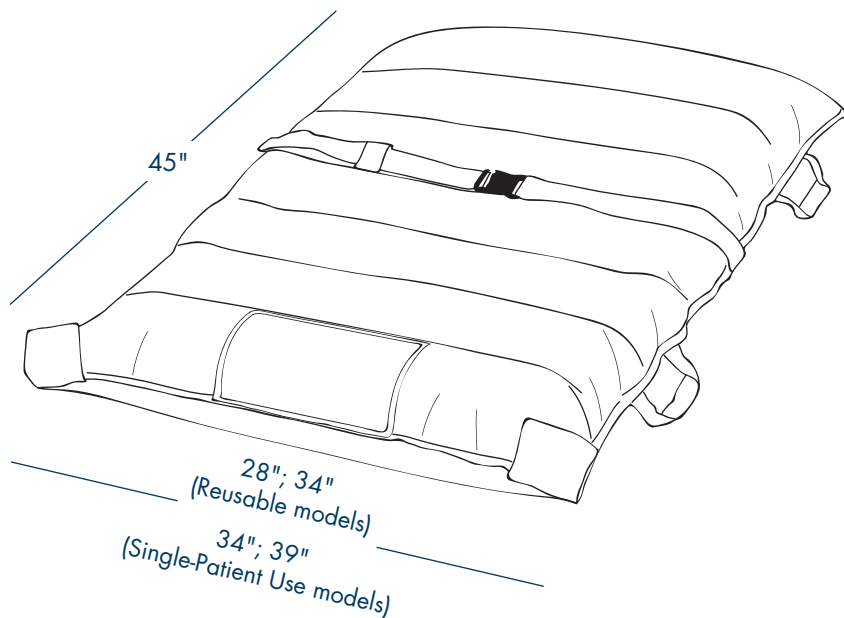
Single-Patient Use HoverMatt® Half-Matt

### HoverMatt® Half-Matt Benefits:

- Air-assisted technology improves patient and caregiver safety and comfort during transfers
- Inflated mattress moves patient in stable position, reducing skin shear and bruising
- Half-length design is ideal for use with O.R. specialty tables
- Radiolucent and MRI compatible for artifact-free imaging
- Available in multiple styles and widths with a weight limit of 1200 lbs. to accommodate most patients
- Variable speed air supply allows quieter and slower inflation options



HoverMatt® Half-Matt



## Product Specifications

### Single-Patient Use Half-Matt

Sewn construction

Top: Non-woven polypropylene fiber

Bottom: Nylon fabric

Water soluble perimeter thread (120°)

Thread in sewn handles is NOT water soluble

Latex free

### Available in Two Sizes

34" W x 45" L – HM34SPU-HLF 10 per box

39" W x 45" L – HM39SPU-HLF 10 per box

### Reusable Half-Matt

Heat-sealed construction: RF welding on all seams

Material: Nylon twill

Latex free

### Available in Two Sizes

28" W x 45" L – HM-Mini28HS Each

34" W x 45" L – HM-Mini34HS Each

### Double-Coated Reusable Half-Matt

Heat-sealed construction: RF welding on all seams

Material: Nylon twill

Latex free

### Available in Two Sizes

28" W x 45" L – HM-Mini28DC Each

34" W x 45" L – HM-Mini34DC Each

### Compatible with HoverTech Air Supplies

Air200G(800 W), Air400G (1100 W), and HTAIR1200/2300 (Variable Speed)

*If a Single-Patient Use HoverMatt® transfer mattress is laundered, it will no longer inflate when connected to the air supply. The "DO NOT WASH" label at the foot-end of the product will dissolve and state, "DISCARD IMMEDIATELY."*

For more information, contact your local HoverTech representative or reach us at:

800.471.2776

[www.HoverMatt.com](http://www.HoverMatt.com)

[info@hovermatt.com](mailto:info@hovermatt.com)

Ask about HELPS<sup>SM</sup> Healthcare Ergonomic Lifting Program, HoverTech's safe patient handling program that offers guaranteed results.



513 S. Clewell Street  
Bethlehem, PA 18015

**Phone** 800.471.2776

**Fax** 610.694.9601

[www.HoverMatt.com](http://www.HoverMatt.com)

Bro\_HLF\_0215